



TECHNICAL DATA

WATER AND AIR PRESSURE GAUGES

The Viking Corporation, 210 N Industrial Park Drive, Hastings MI 49058

Telephone: 269-945-9501 Technical Services: 877-384-5464 Fax: 269-818-1680 Email: techsvcs@vikingcorp.com

1. DESCRIPTION

Viking Pressure Gauges give visual indication of the water or air pressure available to the fire protection system.

2. LISTINGS AND APPROVALS

UL Listed - VEVX
ULc Listed - VEVXC
FM Approved - Pressure Gauges

3. TECHNICAL DATA

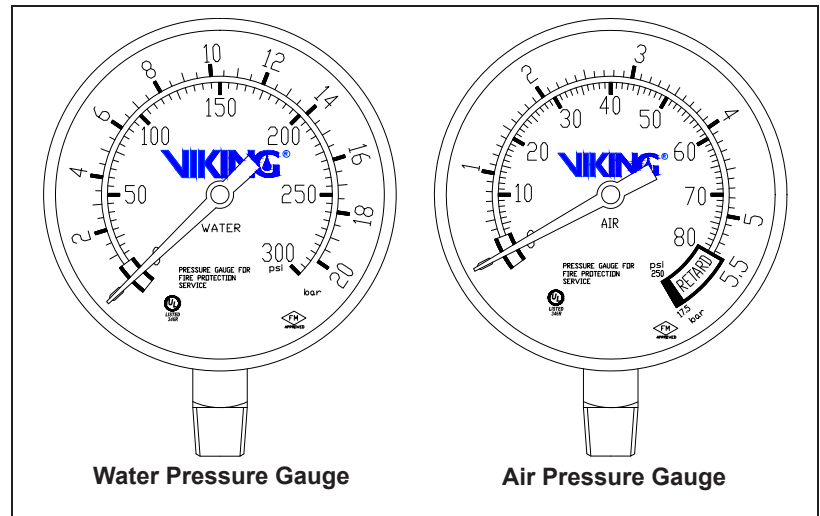
Connection: 1/4" NPT

Working Pressure:

- Water Gauge: 300 psi (20.7 bar)
- Air Gauge: 80 PSI (5.5 bar)

Maximum Pressure:

- Water Gauge: 300 PSI (20.7 bar)
- Water Gauge: 600 PSI (41.4 bar)
- Air Gauge: 250 PSI (17.2 bar) (Air gauge includes a "Retard Zone" between 80 and 250 PSI)



Material Standards

Case: ABS (Acrylonitrile Butadiene Styrene)

Window: Polycarbonate

Dial: Black Figures on White Background

Pointer: Black, Aluminum

Movement: Suspended Spring with Polyester Segment

Bourdon Tube: Bronze

Socket: Brass, Soft Soldered

Ordering Information

Available since 1977.

300 PSI (20.7 bar) Water Pressure Gauge - VWATERSF

600 PSI (41.4 bar) Water Pressure Gauge - VWATERSF600

250 PSI (17.2 bar) Air Pressure Gauge - VAIRSF

Viking Technical Data may be found on
The Viking Corporation's Web site at
<http://www.vikinggroupinc.com>.
The Web site may include a more recent
edition of this Technical Data Page.

4. INSTALLATION

1. Gauges are to be installed in accordance with the latest published standards of the National Fire Protection Association or other similar organizations, and also with the provisions of governmental codes, ordinances, and standards whenever applicable.
2. Gauges must be handled with care. They must be stored in a cool, dry place in their original shipping container. Never install gauges that have been dropped or damaged in any way. Such gauges should be destroyed immediately.
3. Adequate heat must be provided where gauges are installed.
4. The gauges must be protected from mechanical damage. Install the gauges according to the following steps:
 - a. Apply a small amount of pipe-joint compound or tape to the external threads of the gauge only. Take care that no joint compound is allowed into the orifice of the gauge.
 - b. Turn the unit clockwise to thread the gauge into the 1/4" (6.4 mm) NPT connection of the fitting. DO NOT over-tighten the gauge.

5. AVAILABILITY

The water and air gauges are available through a network of domestic and international distributors. See The Viking Corporation web site for the closest distributor or contact The Viking Corporation.

6. GUARANTEES

For details of warranty, refer to Viking's current list price schedule or contact Viking directly.

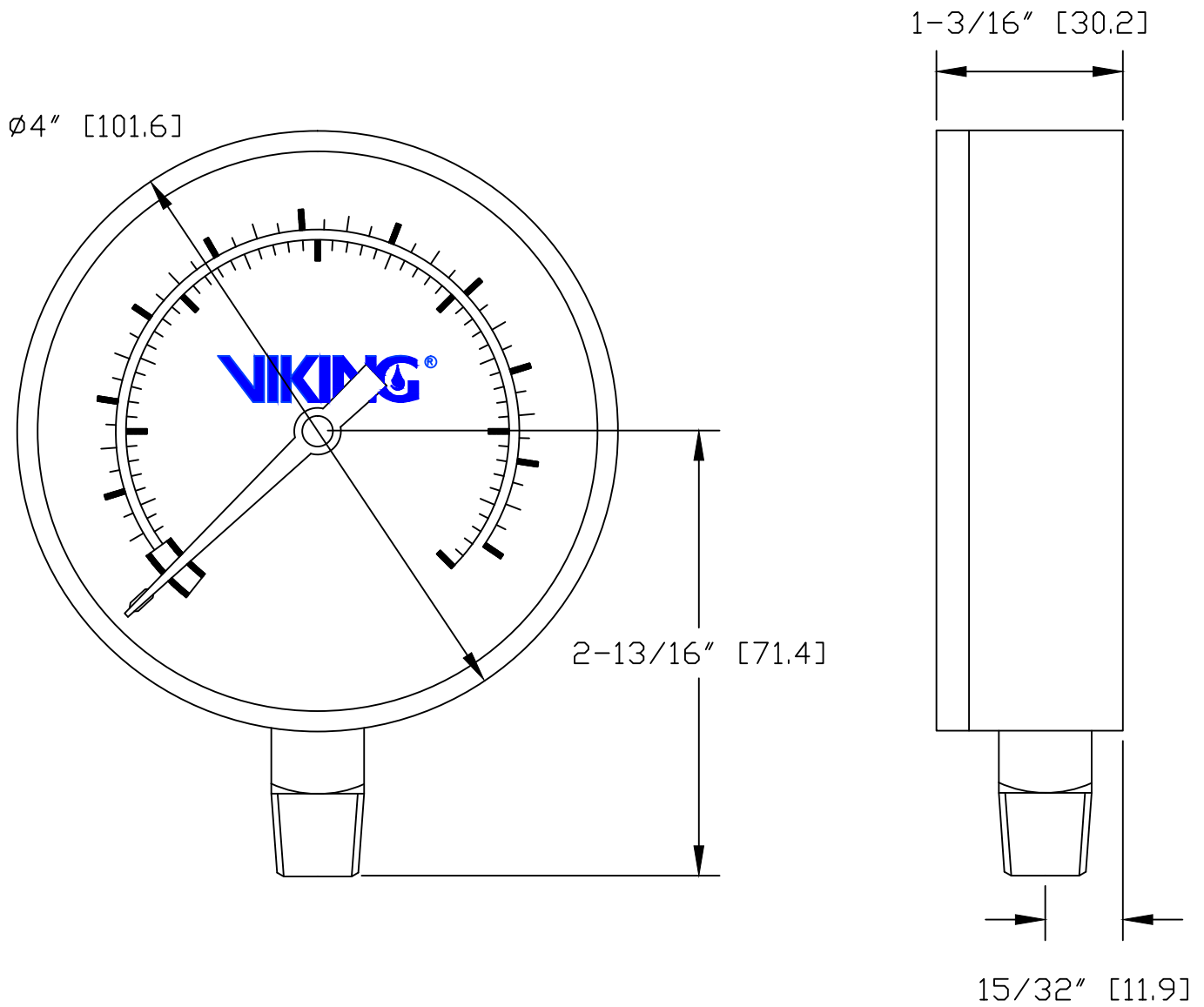


TECHNICAL DATA

**WATER AND AIR
PRESSURE GAUGES**

The Viking Corporation, 210 N Industrial Park Drive, Hastings MI 49058

Telephone: 269-945-9501 Technical Services: 877-384-5464 Fax: 269-818-1680 Email: techsvcs@vikingcorp.com



**Figure 1 - Gauge Dimensions
(Dimensions Apply to Air and Water Gauges)**